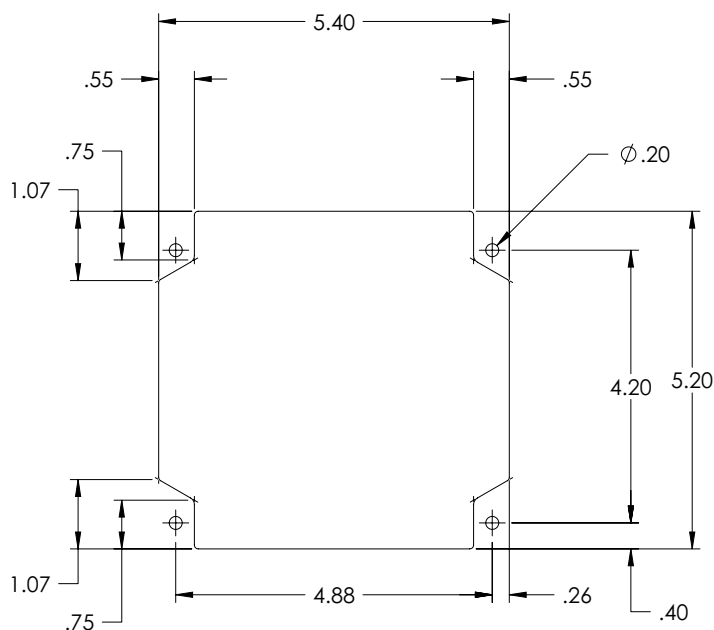
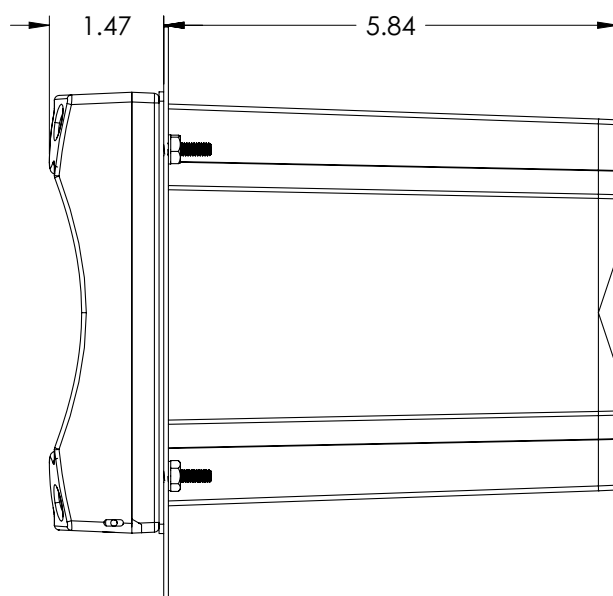
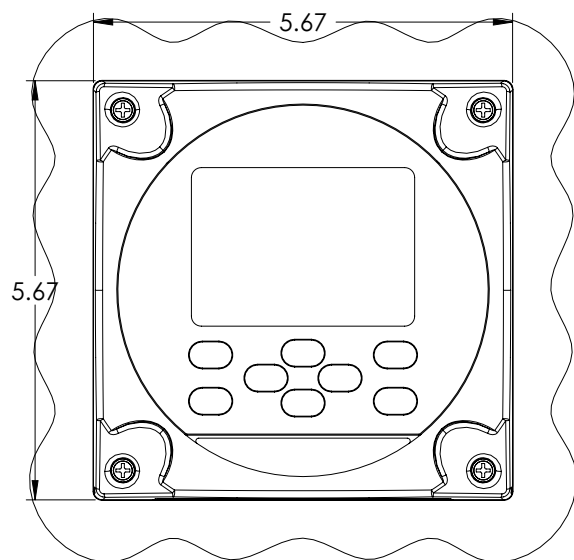


Thermo Scientific Orion 2100 Series Analyzer Panel Mounting Kit, Cat. No. 2100SMK

Configuration 1, Front Attachment

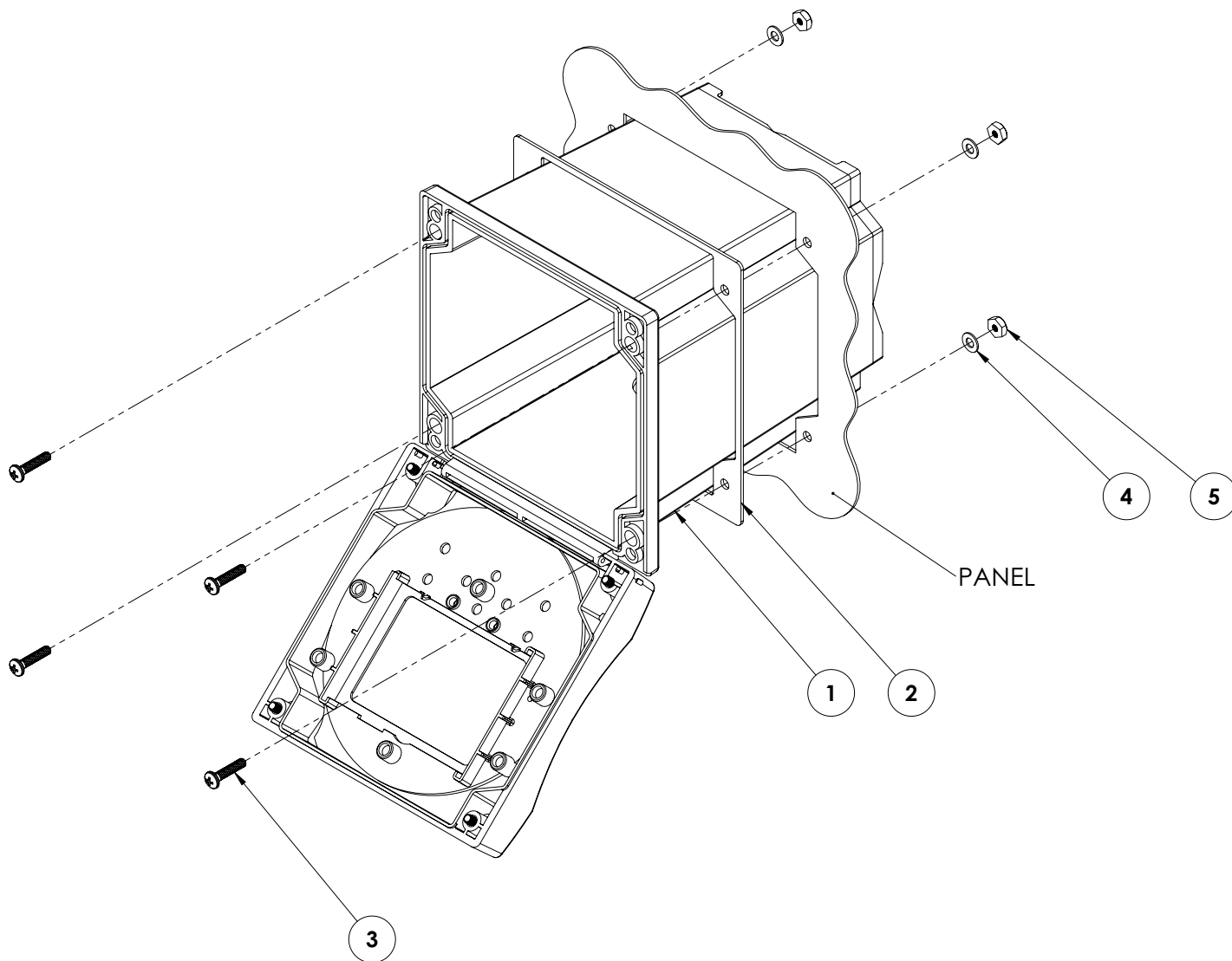
Mounting Specifications

All dimensions are in inches, with a tolerance of ± 0.01 inch.



Mounting Instructions

1. Cut an opening in the panel according to the specifications on the previous page.
2. Slide the gasket (**item 2**) onto the analyzer housing (**item 1**).
3. Slide the analyzer assembly and gasket into the opening on the panel, from the front.
4. Secure the analyzer to the panel with four #8 screws (**item 3**), four washers (**item 4**) and four nuts (**item 5**).



©2009 Thermo Fisher Scientific Inc. All rights reserved. All trademarks are the property of Thermo Fisher Scientific Inc. and its subsidiaries.



Process Water Instruments

North America
166 Cummings Center
Beverly, MA 01915 USA
Toll Free: 1-800-225-1480
Tel: 1-978-232-6000
Dom. Fax: 1-978-232-6015
Int'l Fax: 978-232-6031

Europe
P.O. Box 254, 3860 AG Nijkerk
Wallerstraat 125K, 3862 CN
Nijkerk, Netherlands
Tel: (31) 033-2463887
Fax: (31) 033-2460832

Asia Pacific
Blk 55, Ayer Rajah Crescent
#04-16/24, Singapore 139949
Tel: 65-6778-6876
Fax: 65-6773-0836

www.thermo.com/processwater

263642-001 Rev. A 06-09

Thermo
SCIENTIFIC